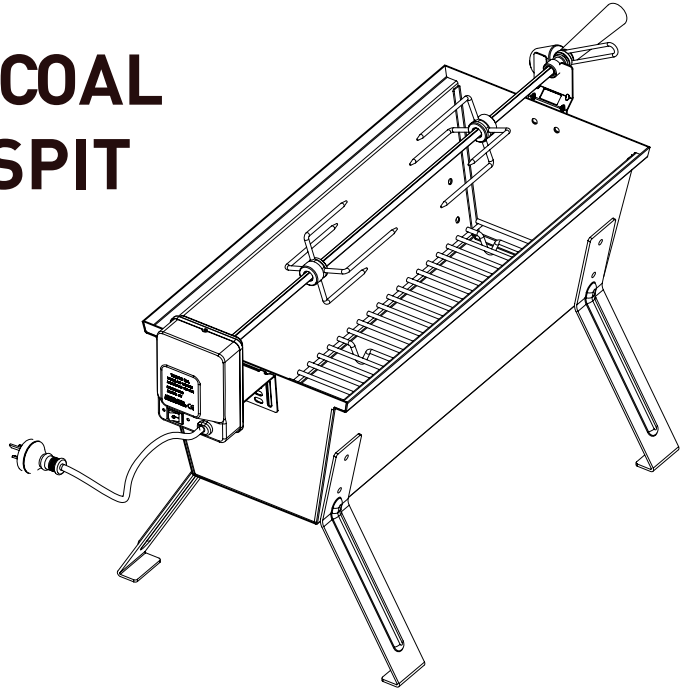




GRILL • ROAST • SMOKE

CHARCOAL MINI SPIT



Owner's Manual

ASSEMBLY, CARE & SAFETY INSTRUCTIONS

Item No. HK0515





GRILL • ROAST • SMOKE

Charcoal Mini Spit

Warranty Details

The product is guaranteed to be free from defects in workmanship and parts for a period of 12 months from the date of purchase. Defects that occur within this warranty period, under normal use and care, will be repaired, replaced or refunded at our discretion. The benefits conferred by this warranty are in addition to all rights and remedies in respect of the product that the consumer has under the Competition and Consumer Act 2010 and similar state and territory laws.

Our goods come with guarantees that cannot be excluded under the Australian Consumer Law. You are entitled to a replacement or refund for a major failure and for compensation for any other reasonably foreseeable loss or damage. You are also entitled to have the goods repaired or replaced if the goods fail to be of acceptable quality and the failure does not amount to a major failure.

After Sales Support

Telephone: 1300 799 787
(03) 9873 2711
Email: service@hark.com.au

1 YEAR
WARRANTY



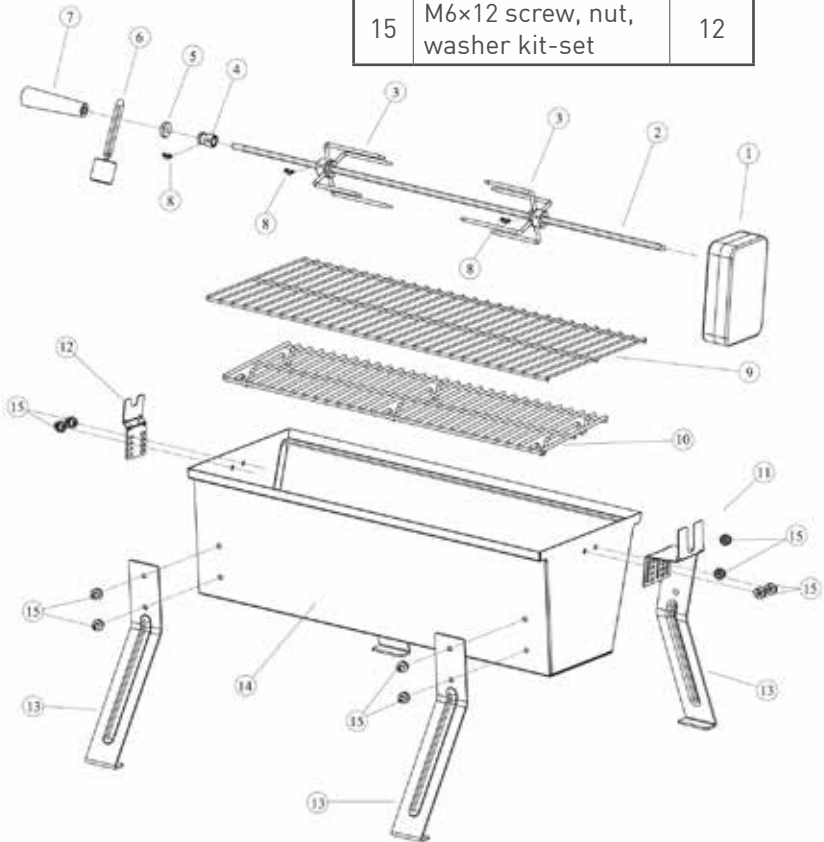
READ THE FOLLOWING WARNINGS, SAFEGUARDS AND INSTRUCTIONS PRIOR TO ASSEMBLY AND OPERATION. FAILURE TO DO SO MAY RESULT IN PERSONAL INJURY OR PROPERTY DAMAGE.

SAVE AND FILE THESE INSTRUCTIONS FOR FUTURE REFERENCE.

- This appliance is not intended for use by persons (including children) with reduced physical, sensory or mental capabilities, or lack of experience and knowledge unless they have been given supervision or instruction concerning the use of the appliance by a person responsible for their safety.
- Only use this mini spit on a level, stable, non-combustible surface like brick, concrete or dirt. Do not use the spit on or around any surface that will burn or melt, such as on a wooden deck, dry grass, wood rails, vinyl or plastic.
- Never use the mini spit in an enclosed area.
- Never operate this spit under any overhead roof covering, awning or overhang.
- Always wear shoes and protective clothing while operating this spit.
- Do not touch hot surfaces without using a BBQ mitt.
- Allow all parts to cool before disassembling.
- Close supervision of children is required when this appliance is in use to ensure they do not play with or near the appliance.
- Never leave mini spit unattended while rotisserie is in use.
- Never move the spit unit when it is in use. Allow to cool before moving or storing.
- Never use this spit as a heater.
- Never use the spit in or on recreational vehicles and/or boats.
- To protect against electrical shock, do not immerse cord or plug in water or other liquids.
- Do not operate with damaged cord or plug.
- If the power supply cord is damaged, it must be replaced by the manufacturer, its service agent or a similarly qualified person in order to avoid an electrical hazard.
- The electric motor is to be used with 240V AC only.
- Unplug the motor from power outlet before cleaning.
- Unplug the motor from the power outlet and remove from the mini spit when not in use and store in a dry covered location.
- Do not allow motor to be left in the rain.
- This appliance is not intended for commercial use.
- Do not use the spit unit in windy conditions or on Total Fire Ban days.
- Never throw out hot or burning ashes.

1.0 PARTS LIST AND ASSEMBLY DIAGRAM

No.	Description	Qty	No.	Description	Qty
1	240 V motor	1	8	M5×10 thumb screw	3
2	Spit rod	1	9	Cooking grid	1
3	Meat fork	2	10	Charcoal grate	1
4	Rotation sleeve	1	11	Motor bracket	1
5	Washer nut	1	12	Spit bracket	1
6	Counter weight	1	13	Legs	4
7	Handle	1	14	Body	1
			15	M6×12 screw, nut, washer kit-set	12



2.0 ASSEMBLY INSTRUCTIONS

2.1 GENERAL HINTS FOR ASSEMBLY

- Place the body onto a carton whilst assembling the mini spit in order to protect the enamel coating.
- Read all Assembly instructions before operating this spit.
- Follow each step in the correct order.
- Handle metal parts with care.
- Follow the correct lighting and operational procedures.
- Only use this product outdoors and only use as a charcoal barbecue and rotisserie spit.
- Do not attempt to connect to gas.
- This product is for private use only.

2.2 BODY ASSEMBLY

1. Attach legs (13) to body (14) using 2 × M6×12 screw, nut and washers (15).
2. Place charcoal grate (10) on the floor of the body (14).

2.3 ROTISSERIE ASSEMBLY

1. Attach motor bracket (11) using 2 x M6 x 12 screw, nut and washers (15).
2. Slide motor (1) onto motor bracket (11).
3. Attach spit bracket (12) using 2 × M6×12 screw, nut and washers (15).
4. Slide rotation sleeve (4) onto spit rod (2) and secure with M5×10 thumb screw (8).
5. If using the counter weight, screw the washer nut (5) on first, followed by the counter weight (6) and finally screw the handle (7) to tighten.
6. The pointed end of the spit rod (2) can be slid into the motor socket.
7. The spit rod (2) can be removed by lifting the handle (7) and sliding out of the motor socket.

2.4 BARBEQUE ASSEMBLY

1. Place cooking grid (9) on the top of the body (14).

3.0 OPERATIONAL INSTRUCTIONS

3.1 LIGHTING THE MINI SPIT

- Make sure the charcoal you are planning to use in your Hark Mini Spit is 100 percent dry.
- Remove the cooking grid (9).
- Make sure the charcoal grate (10) is placed on the floor of the body (14). This will protect the floor from burning out and prolong the life of the product.
- Place three to four fire lighters in the middle of the charcoal grate.
- Pile the charcoal on top of the fire lighters in a pyramid formation.
- Light the fire lighters and let the charcoal burn.
- Let the charcoal burn for 25 – 30 mins. Do not disturb the charcoal during this time.
- The charcoal is ready to cook on once the charcoal is covered in a white ash.
- This process may take up to 45 mins to 1 hour depending on weather conditions.
- Be sure to allow plenty of time when lighting the spit.

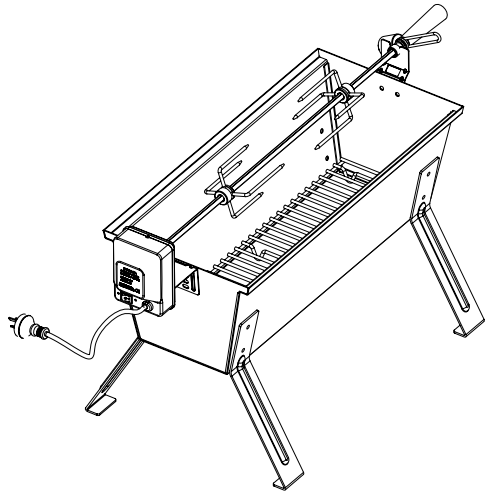
WARNING: Never pour flammable liquid onto the charcoal or briquettes to light or to re-light the fire.

3.2 ROTISSERIE FUNCTION

CAUTION:

The rotisserie will be hot as a result of heating the coals. Always use a long BBQ mitt to protect your hands and forearms. When adjusting the thumbscrews or any other part of the rotisserie use mitts and pliers.

- Always place the spit rod through the centre of the food.
- Secure the food firmly to the spit rod with the 4 pronged meat forks. It may be necessary to tie some food (such as fowl and rolled roasts) to retain their shape for even rotation whilst cooking.
- Place the spit rod onto the rotisserie brackets and slide the rod into the motor socket.
- Plug the power cord into a power socket [Refer safety instructions on Page 1]. Turn the motor on and check to see if the food on the spit rod is rotating evenly.
- If the food is unbalanced it will cook unevenly and the motor will be put under pressure. When this occurs, use the counter weight provided (Refer - Rotisserie Assembly). The counter weight should be placed directly opposite the heaviest part of the food. The counter weight can be adjusted vertically, towards the spit rod or away from the spit rod until the proper balance is achieved.
- Continue to check your food at various times during the cooking process. As the food cooks it may shrink and the four pronged meat forks may need to be adjusted.

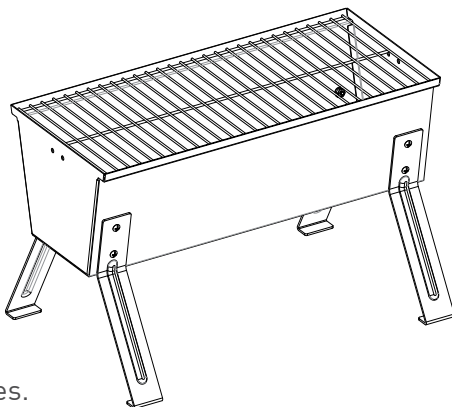


3.3 BARBEQUE FUNCTION

CAUTION:

The rotisserie will be hot as a result of heating the coals. Always use a long BBQ mitt to protect your hands and forearms.

- To set your BBQ up for direct grilling, spread the charcoal across the bottom of the charcoal grate, so that you are able to place the food directly above the coals.
- Direct cooking is a high heat method and is best used for searing steaks, hamburgers, sausages, chicken, fish and vegetables.
- To spread the coals you will need a small shovel and should use a BBQ mitt to avoid any burns. Be careful: the coals will be extremely hot.
- You can get better heat control if you spread your coals into three zones on the charcoal grate.
 - a. Hot zone – Double layer of coals. Used for initially searing the food to seal in all the juices.
 - b. Medium zone – Single layer of coals. Used for cooking the food.
 - c. Cool zone – No Coals. Used for warming or resting the food if it starts to burn.



4.0 QUICK START GUIDE

1. Install the motor onto the motor bracket on the mini spit and plug it into the outlet socket.
2. Light the charcoal and pre heat mini spit as required.
3. Prepare the spit rod by sliding it through the centre of the food and secure using the 4 prong skewers.
4. Fit the prepared spit into the spit socket and the other end onto the location bearing. Use BBQ mitts to protect hands as unit will be hot.
5. Turn on the spit motor using the I-O button.
6. Check the balance of the spit and adjust the counterweight as required [refer point 5 under Rotisserie Assembly].
7. Check your meat periodically to ensure that the meat is being rotated evenly.

5.0 MOTOR SPECIFICATIONS

Product:	HK0515 Charcoal Mini Spit
Model No:	WD-T501
Voltage:	240 V/AC
Power:	4W
Certification:	IEC 60335-1



Hark Enterprises Pty Ltd

Unit 11, 41-49 Norcal Rd, Nunawading, VIC, 3131
T: (03) 9873 2711; 1300 799 787 [Excl. mobiles]
E: service@hark.com.au W: www.hark.com.au