

ROTISSERIE OPERATION:

- Always place the spit rod through the centre of the food.
- Secure the food firmly to the spit rod with the 4 pronged skewers. It may be necessary to tie some food such as fowl and rolled roasts to retain their shape for even rotation and cooking.
- It is important to balance your food on the spit rod. If you do not balance your food it may cook unevenly and may also add unnecessary pressure on the motor which may reduce the life of the motor. Balancing the food on your spit rod will determine how much weight can be turned by the motor.
- If food is unbalanced on the spit rod you can use the counter weight provided. Attach the counter weight assembly to the spit shaft. (See DIAGRAM 6) The counter weight should be directly opposite the heavy side of the food. The counter weight can be adjusted vertically, towards the spit rod or away from the spit rod until the proper balance is achieved.
- Large cuts may require the removal of the cooking grills and warming racks to allow full rotation of the spit rod.
- All roasting should be done with the BBQ lid down.
- Place a drip tray under the meat to catch all unwanted fat and juices.
- Cook with the indirect cooking method. This is where the food is not cooked directly over the flame. Position the food in the center of the BBQ and light the outside burners. The BBQ will act like an oven and cook the food as it spins on the rotisserie.
- To regulate heat, adjust the lit burners from low to high when required.
- Please check your food at various times during the cooking process. As the food cooks it may shrink and the four prong skewers may need to be adjusted. CAUTION the rotisserie will be hot. Use a BBQ mitt and pliers to adjust the thumb screws or any other part of the rotisserie.



www.hark.com.au
1300 799 787; (03) 9873 2788

stainless steel BBQ Rotisserie



IMPORTANT SAFETY INSTRUCTIONS PLEASE READ CAREFULLY USE THESE BASIC SAFETY PRECAUTIONS

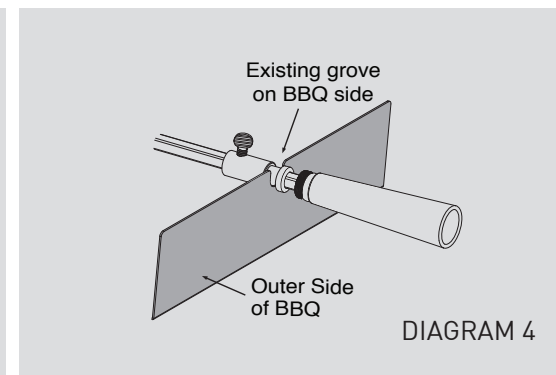
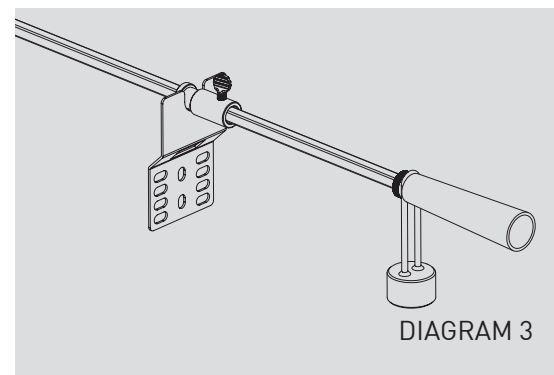
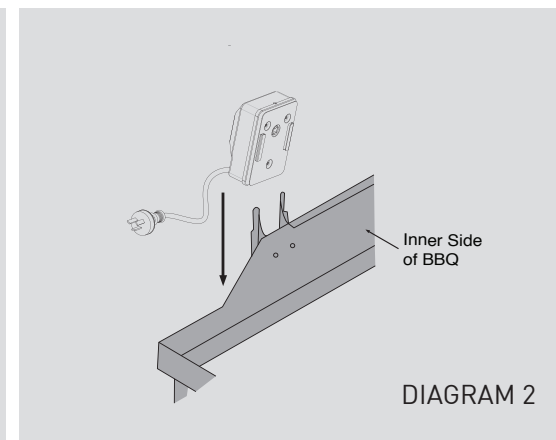
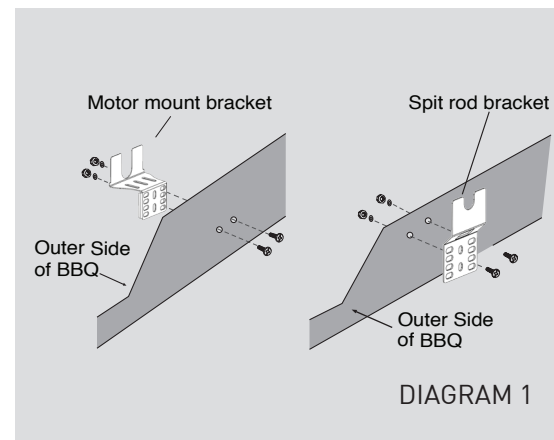
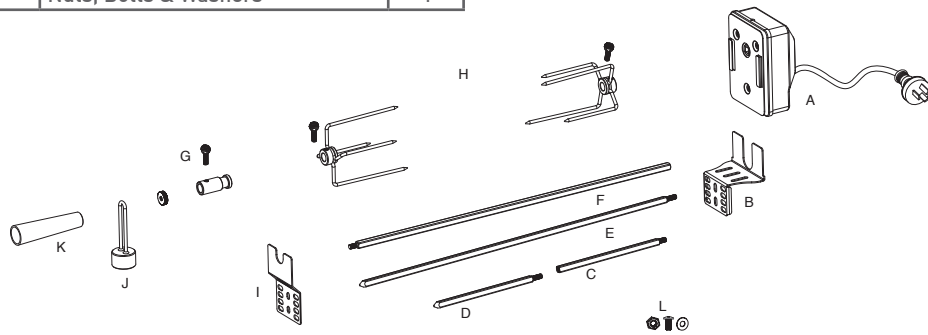
READ *ALL* INSTRUCTIONS PRIOR TO ASSEMBLY

- ✎ Do not touch hot surfaces without using a BBQ mitt
- ✎ Allow all parts to cool before disassembling
- ✎ Close supervision is required when appliance is in use near children
- ✎ To protect against electrical shock, do not immerse cord or plug in water or other liquids
- ✎ Do not operate with damaged cord or plug
- ✎ Do not allow cord to touch hot surfaces
- ✎ Unplug from power outlet before cleaning
- ✎ Unplug from power outlet and remove from BBQ when not in use
- ✎ The Electric motor is for 240volt AC only
- ✎ If the BBQ is fitted with a side burner, do not use the side burner while the appliance is in operation
- ✎ It is recommended that the rotisserie motor be fitted to the opposite end of the side burner where possible
- ✎ The BBQ Rotisserie is for outside use on domestic BBQ's only

SAVE THESE INSTRUCTIONS FOR FUTURE REFERENCE

PARTS LIST

PART	DESCRIPTION	QTY
A	240v Stainless Steel Motor	1
B	Motor Mount Bracket	1
C	Spit Rod - 160mm (male)	1
D	Spit Rod - 160mm (male/female)	1
E	Spit Rod - 490mm (male/female)	1
F	Spit Rod - 490mm (male)	1
G	Location Bearing	1
H	4 Pronged Skewers	2
I	Spit Rod Bracket	1
J	Counter Weight	1
K	Spit Handle	1
L	Nuts, Bolts & Washers	4



ASSEMBLY INSTRUCTIONS:

Tools Required: Adjustable Spanner and Phillips Head Screwdriver

1. Attach the motor mount bracket (B) and spit rod bracket (I) to the outer surface of the BBQ sides. The combination of holes on the brackets will fit most BBQ's. Secure each of the brackets using 2 x screws, 2 x nuts and 2 x washes (L) (See DIAGRAM 1).
2. Install the spit motor (A) to the motor mount (B) bracket (See DIAGRAM 2).
3. Screw the desired number of spit rods (C, D, E or F) together to suit the total length of your BBQ. Be sure that one end has a point and the other end has a male thread to screw the handle (K) onto (See DIAGRAM 5).
4. If using the counter weight, place the washer on first, followed by the counter weight and finally screw the handle (K) to tighten (See DIAGRAM 6).
5. Slide on the location bearing (G) and tighten thumbscrew.
6. The location bearing (G) sits in the groove of the spit rod bracket (I), to allow it to turn freely (See DIAGRAM 4).
7. If the BBQ has already a groove where the location bearing (G) can sit, there may be no need to use the spit rod bracket (I) (See DIAGRAM 3).
8. The pointed end of the spit rod can be slid into the motor socket.
9. The spit rod can be removed by lifting the handle and sliding out of the motor socket.

